

## E/One Sentry™

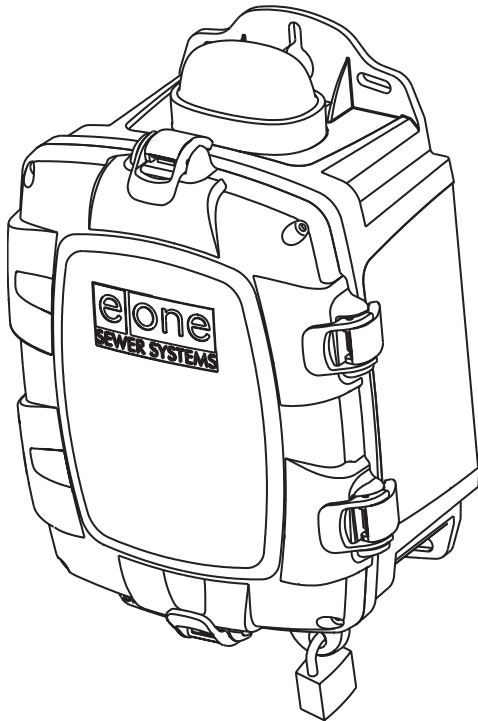
### Alarm Panel — Protect Package

#### Description

The E/One Sentry panels are custom designed for use with Environment One grinder pump stations. They can be configured to meet the needs of your application, from basic alarm indication to advanced warning of pending service requirements.

E/One Sentry panels are supplied with audible and visual high level alarms. They are easily installed in accordance with relevant national and local codes. Standard panels are approved by UL, CSA, CE and NSF to ensure high quality and safety.

The panel features a corrosion-proof, NEMA 4X-rated, thermoplastic enclosure. A padlock is provided to prevent unauthorized entry (safety front).



#### Standard Features

Includes all features of the basic configuration of the E/One Sentry panel, including circuit breakers, 240 or 120 VAC service, terminal blocks and ground lugs, audible alarm with manual silence, manual run feature and run indicator, redundant “Start” function with high level alarm, safety front, conformal-coated board, overload protection, as well as:

Trouble indication that shuts down the pump temporarily in the event of an unacceptable operating condition, including:

- Brownout conditions with the electrical power supply
- System over-pressure condition such as with a closed valve
- Run-dry operation of the pump

Inner cover (dead front)

Contact group — dry and Remote Sentry

#### Optional Features

Hour meter

Generator receptacle with auto transfer

GFCI

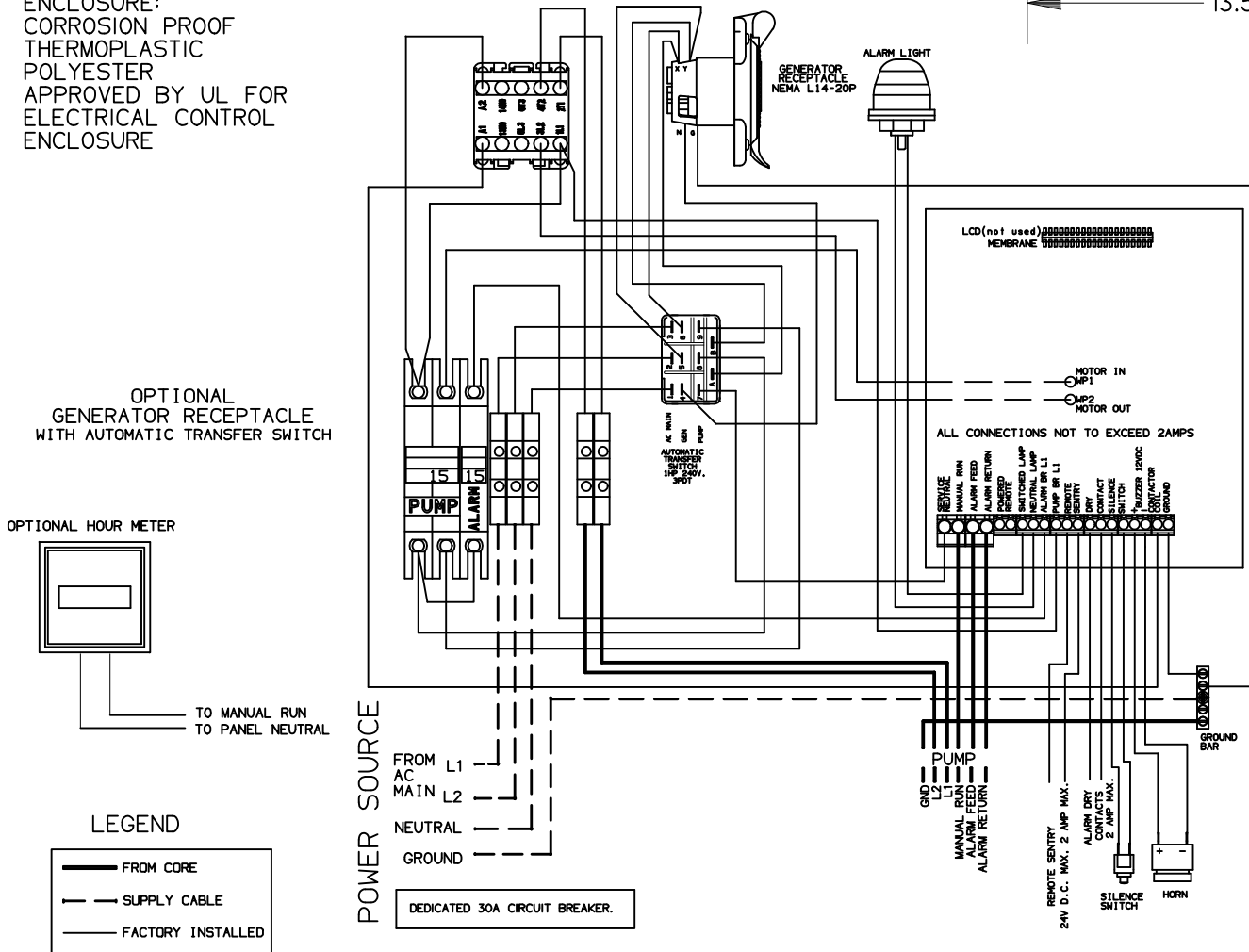
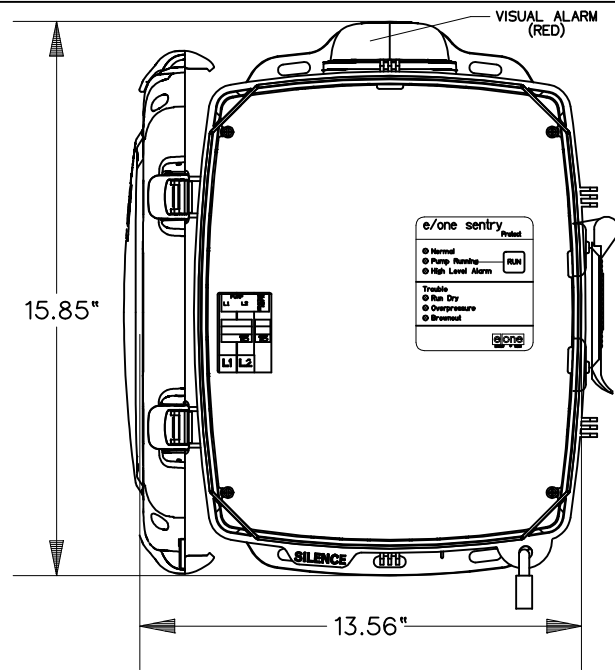
Main service disconnect

Please consult factory for special applications.

# SENTRY PROTECT SIMPLEX

- REDUNDANT RUN (HIGH LEVEL)
- EXTERNAL VISUAL & AUDIBLE ALARM
- REMOTE SENTRY DRY CONTACTS FOR
- OPTIONAL POWER LOSS HIGH LEVEL ALARM (POWER LOSS ALARM FOR WIRELESS)
- MANUAL ALARM SILENCE
- MANUAL RUN
- STATUS LED'S: NORMAL, PUMP RUNNING, HIGH LEVEL
- TROUBLE LED'S: RUN DRY, OVERPRESSURE, BROWNOUT
- DRY CONTACTS
- CONFORMAL COATED CIRCUIT BOARD (BOTH SIDES)
- PADLOCK
- DEAD FRONT
- NEMA 4X ENCLOSURE ASSEMBLY

ENCLOSURE:  
CORROSION PROOF  
THERMOPLASTIC  
POLYESTER  
APPROVED BY UL FOR  
ELECTRICAL CONTROL  
ENCLOSURE



PIN	FUNCTION	2000S	EXTREME
1	MANUAL RUN	RED	BROWN
2	L1	BLACK	RED
3	L2	WHITE	BLACK
4	GND	GREEN	GRN/YEL
5	ALARM FEED	ORANGE	YELLOW
6	ALARM RETURN	BLUE	BLUE

CONTROL CABLE:  
TYPE TC: DIRECT BURIAL, 12AWG,  
SIX CONDUCTOR



SGS	09/25/08	3	12/03/13
DR BY	DATE	CHK'D	ISSUE DATE



SENTRY SIMPLEX PROTECT PANEL, 240V  
60Hz W/GENERATOR RECEPTACLE

ESD 08-0122