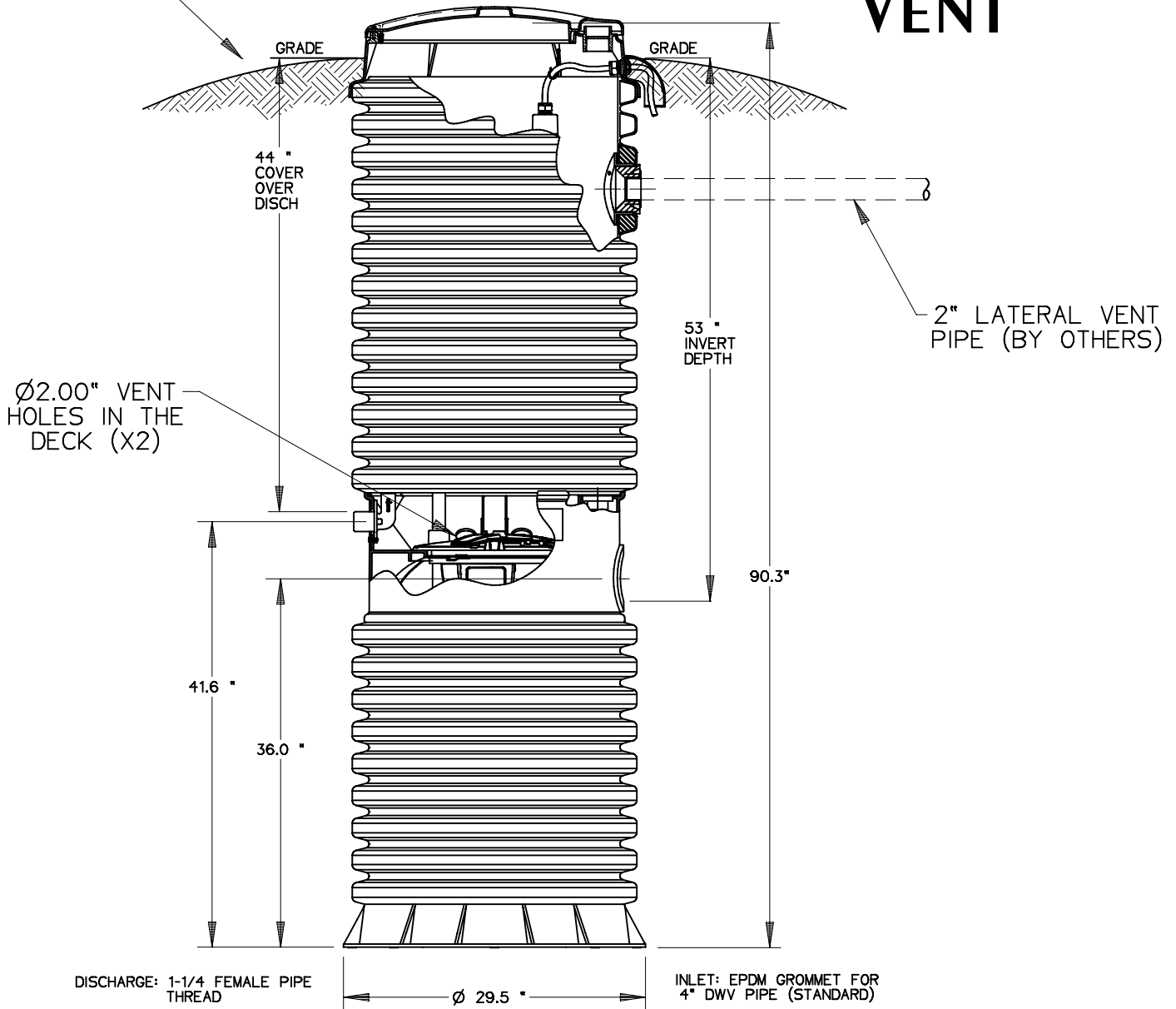



Added 4/19/16 Rev 2

# DH071-93 LATERAL DRY-WELL VENT

GRADE MUST SLOPE AWAY FROM STATION



CONCRETE BALLAST MAY BE REQUIRED  
SEE INSTALLATION INSTRUCTIONS  
FOR DETAILS

SGS	CAH	02/12/14	1	1/16
DR BY	CHK'D	DATE	ISSUE	SCALE
 <b>SEWER SYSTEMS</b>				
MODEL DH071-93, DRY-WELL LATERAL VENT				
ESD 14-0016				